

VAKO

BLIND / CURTAIN
COMPONENTS

TDBU



TDBU

DUTCH
DESIGN

WWW.VAKO.COM

somfy.
compatible

TDBU ROMAN BLIND

UNIVERSAL COMPONENTS MULTIPLE PROFILES

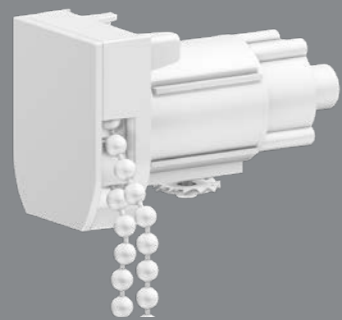


TDBU HONEYCOMB

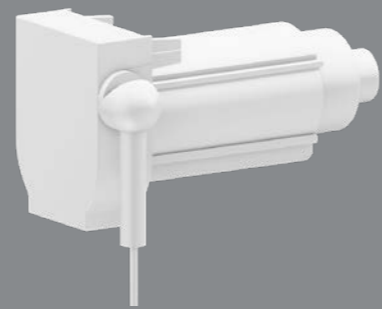
Choose any compatible control to easily transform multiple standard blind into a top down bottom up system



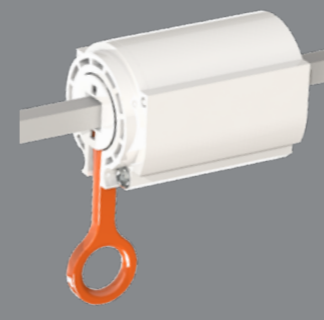
COMPATIBLE CONTROLS



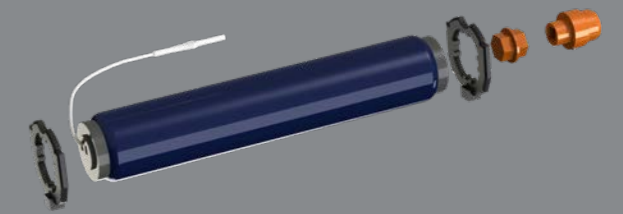
STANDARD CHAIN



EASY PULL



SPRING



MOTORIZED

TDBU TECHNIQUE

DOUBLE CORD DRUM

Unique design, operation for both top and bottom profile integrated in one compact cord drum

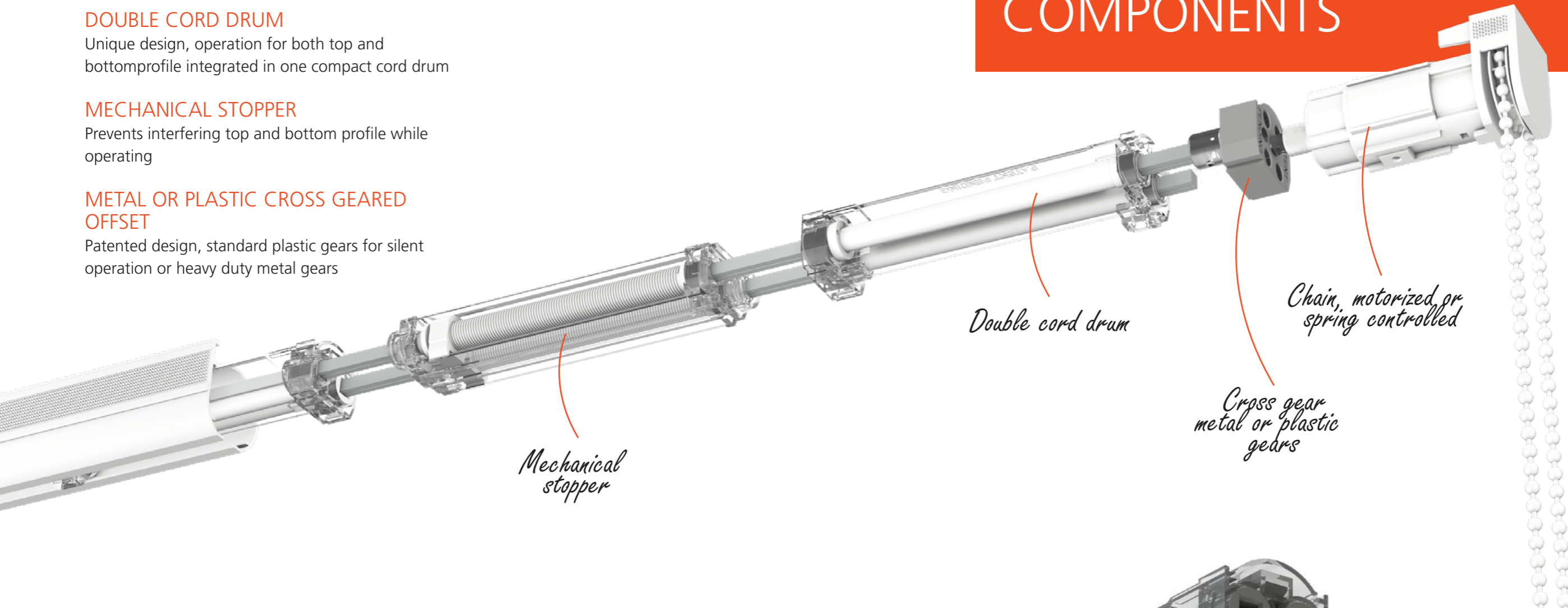
MECHANICAL STOPPER

Prevents interfering top and bottom profile while operating

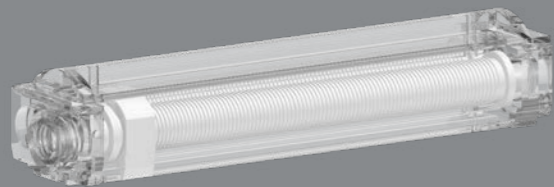
METAL OR PLASTIC CROSS GEARED OFFSET

Patented design, standard plastic gears for silent operation or heavy duty metal gears

UNIVERSAL TDBU COMPONENTS



STOPPER



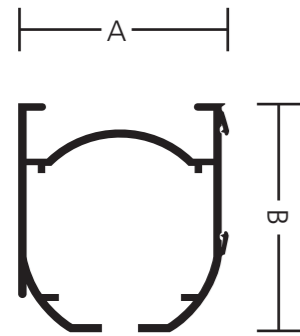
CROSS GEAR METAL



DOUBLECORD DRUM®

Patented by Vako

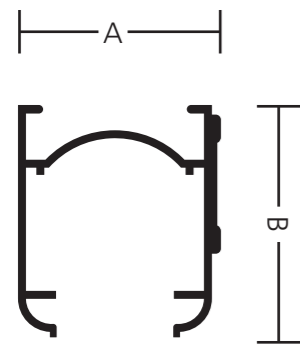
COMPATIBLE PROFILES



	20/04	Size A	Size B	Length	Weight pm
Europe		35 mm	38 mm	5800 mm	0,4 KG
US		1 ³ / ₈ "	1 ¹ / ₂ "	19 ft	1 lbs

Multiple lengths available for economic transport

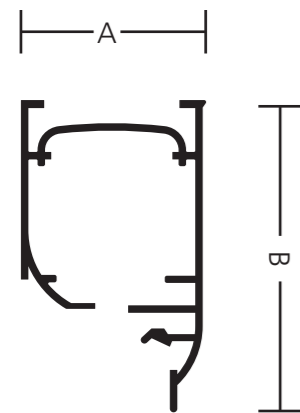
Material Aluminium
Colour White, grey and black



	20/09	Size A	Size B	Length	Weight pm
Europe		34 mm	40 mm	5800 mm	0,4 KG
US		1 ¹ / ₃ "	1 ¹ / ₂ "	19 ft	1 lbs

Multiple lengths available for economic transport

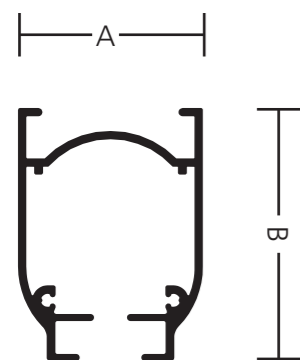
Material Aluminium
Colour White



	20/11	Size A	Size B	Length	Weight pm
Europe		32,4 mm	55,3 mm	5800 mm	0,5 KG
US		1 ¹ / ₄ "	2 ¹ / ₆ "	19 ft	1,2 lbs

Multiple lengths available for economic transport

Material Aluminium
Colour White



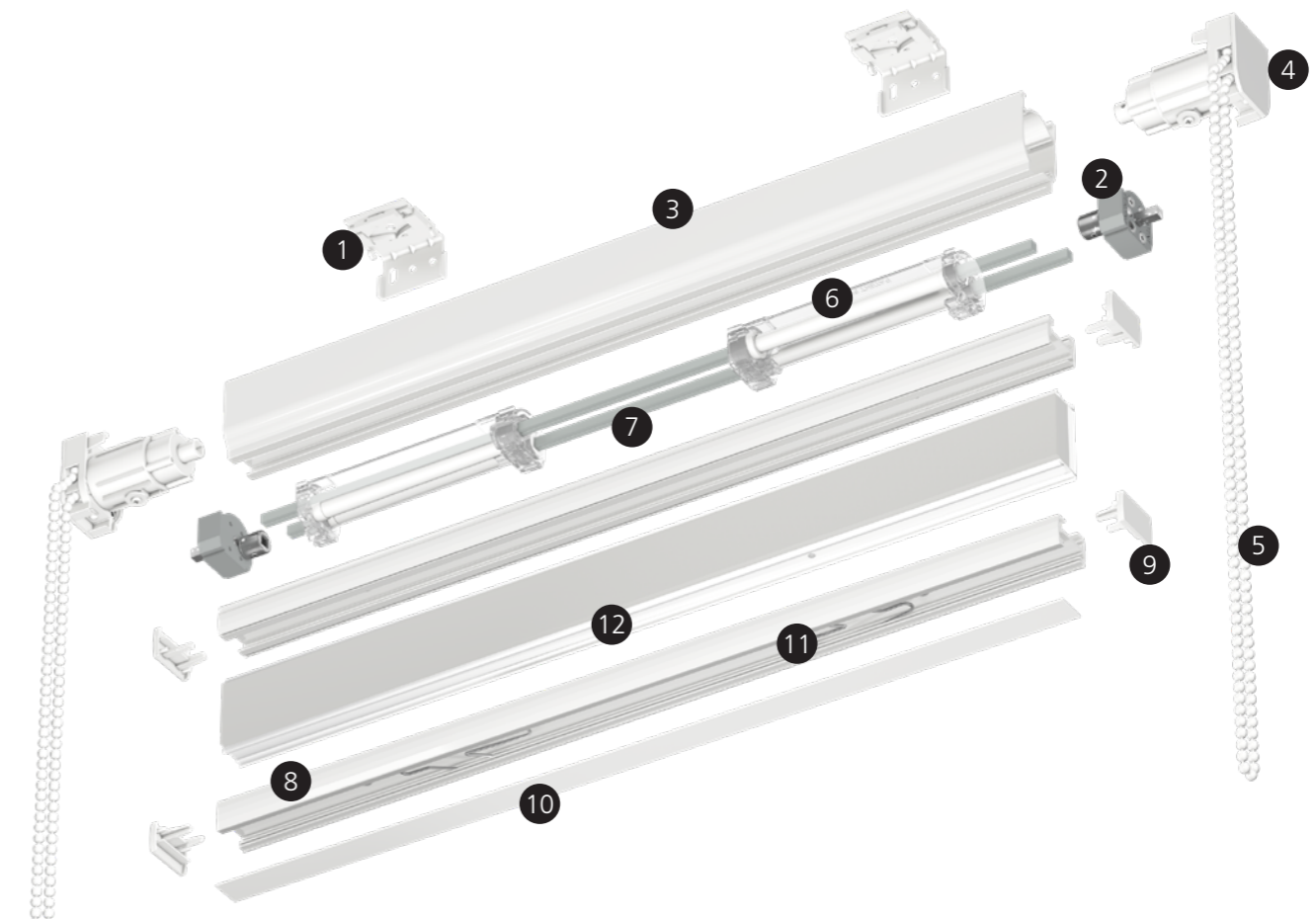
	60/15	Size A	Size B	Length	Weight pm
Europe		32 mm	44 mm	5800 mm	0,4 KG
US		1 ³ / ₈ "	2 ³ / ₄ "	19 ft	1 lbs

Multiple lengths available for economic transport

Material Aluminium
Colour White



EXPLODED VIEW



- 1 Bracket
- 2 Cross gear
- 3 Head profile
- 4 Control unit
- 5 Endless chain
- 6 Double cord drum
- 7 Square shaft
- 8 Bottom profile
- 9 Bottom profile endcap
- 10 Cover strip
- 11 Wireform cord stop
- 12 PVC adhesive profile

VAKO

BLIND / CURTAIN
COMPONENTS



EUROPE • NORTH AMERICA • ASIA-PACIFIC

EUROPE HQ

Goudenhevel 47
5234 GA 's-Hertogenbosch
The Netherlands
info@vako.com
www.vako.com

NORTH AMERICA

6844 Schneider Rd. unit B
Middleton, WI 53562
USA
info@vako-us.com
www.vako-us.com